

Square Drive Wrench Dimensions and Specifications

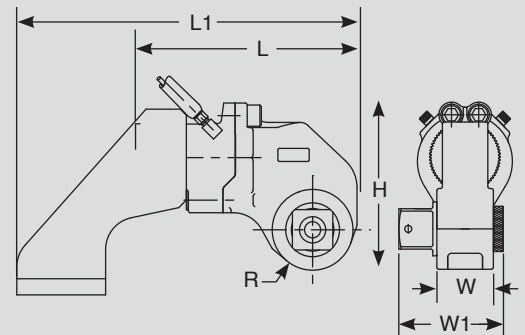


Square Drive Wrench Accessories

- Sockets – full range of hex, bi-hex, castellated and special made to order
- Direct-drive hexagon bits for socket head screws
- Direct-drive sockets, peg drive sockets, allen head driver

Hex Wrench Accessories

- Inserts - full range of hex, bi-hex and special made to order
- Hexagon reducing inserts, made to order reaction arms, hose swivels - individual and multi-purpose



Square Drive Dimensions and Specifications

Model	Wrench Head	Max. Torque Output		Sq. Drive Size	W (width)		W1 (width1)		H (height)		L (length)		L1 (length1)		R (radius)		Weight							
		lb-ft	N-m		in	in	mm	in	mm	in	mm	in	mm	in	mm	in	mm	lb	kg	lb	kg	lb	kg	
RSL2	Sq. Drive	1408	1909	3/4	1.25	32	2.30	58	4.48	114	6.29	160	7.45	189	0.94	24	3.98	1.81	0.50	0.23	2.53	1.15		
RSL4	Sq. Drive	3080	4176	1	1.50	38	2.88	73	5.57	141	7.67	195	10.30	262	1.25	32	5.69	2.58	2.28	1.03	4.75	2.15		
RSL6	Sq. Drive	5303	7190	1 1/2	1.75	45	3.71	94	6.42	163	9.27	235	11.67	296	1.52	39	9.00	4.08	3.96	1.80	9.08	4.12		
RSL8	Sq. Drive	7862	10659	1 1/2	2.40	61	4.14	105	6.65	169	9.47	241	11.78	300	1.52	39	10.80	4.90	4.32	1.96	11.25	5.10		
RSL14	Sq. Drive	11154	15123	1 1/2	2.50	64	4.63	118	7.93	201	11.20	284	12.40	315	1.88	48	11.63	5.28	6.54	2.96	16.62	7.54		
RSL20	Sq. Drive	18843	25548	2 1/2	3.25	83	6.38	162	9.48	241	13.46	342	18.97	482	2.50	64	20.10	9.12	15.90	7.21	29.04	13.17		
RSL30	Sq. Drive	28002	37965	2 1/2	3.50	89	6.54	169	10.35	263	14.09	358	21.07	536	2.50	64	21.34	9.68	11.00	4.99	36.75	16.67		

Accessories (applicable to both Square drive and Hex wrenches)

Handle

- Keep hands away from pinch points with this optional accessory
- Two options available: standard, and a low-clearance option for hex wrenches

Hydratight 503 Moly Paste

- Hydratight 503 Moly Paste reduces friction on threaded fasteners – bolts, nuts, studs
- The low and uniform friction coefficient of 0.06 (torque coefficient, K, of 0.11) creates reliable assembly conditions
- Lubricant stays in place through heat, load and vibration to insure trouble-free disassembly from -29 to 399°C (-20 to 750°F)

